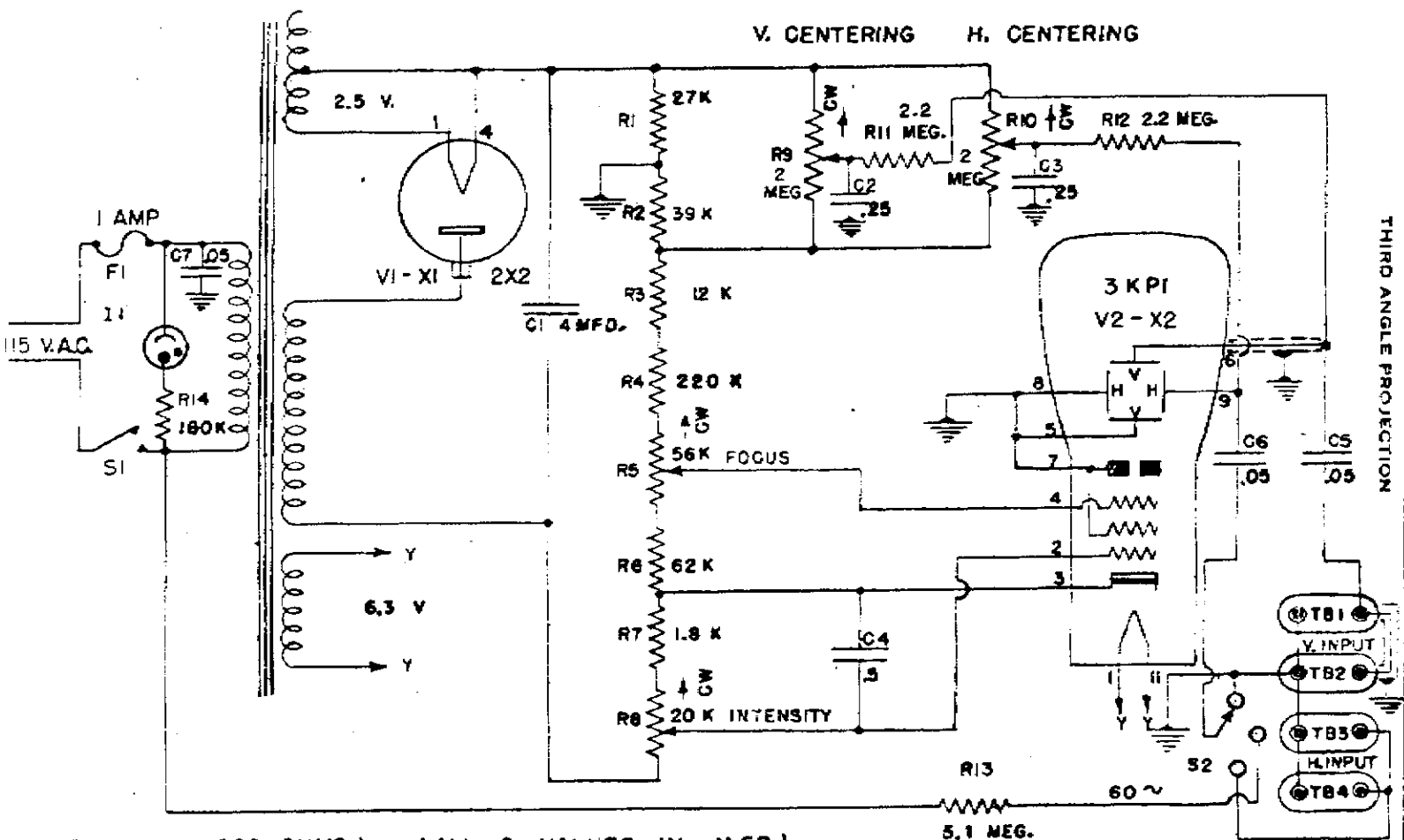


THIRD ANGLE PROJECTION



K DENOTES 1000 OHMS) (ALL C VALUES IN M.F.D.)  
 USE THIS SCHEMATIC ON SERIAL NUMBERS ABOVE 132

ALL DIMENSIONS UNLESS OTHERWISE NOTED MUST BE HELD TO A TOLERANCE OF

3" CRT. OSCILLOSCOPE

FIRST MADE FOR

DESIGNED BY

DRAWN BY *A. G. ...*

JAMES MILLEN MFG. CO., INC.  
 MALDEN, MASS., U.S.A.

CHECKED BY *R.M.C.*

APPROVED

K90903-1

DATE

8-13-48